

TECHNICAL DATA SHEET



Document No: TDS.P1044

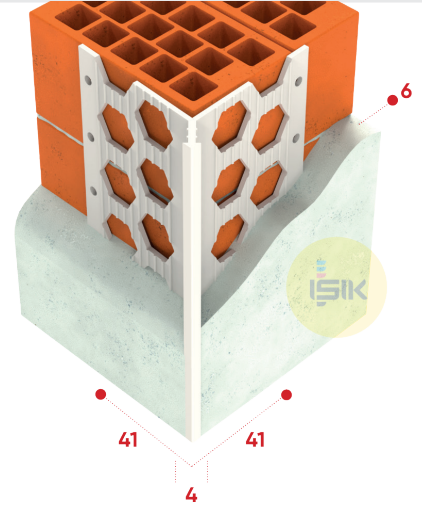
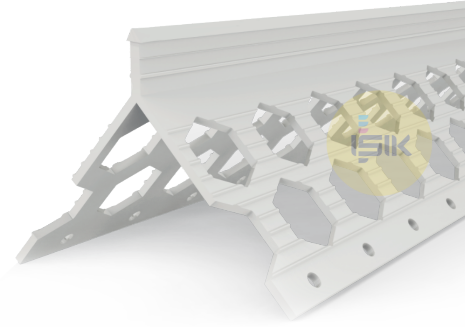
Revision No: 00

P1044 Corner Bead

■ Product Range	Plaster Profiles
■ Applications	Interior - Exterior Plaster
■ Product Type	Corner Bead Visible Round Edge
■ Plaster Thickness	6 mm
■ Visible Nose	4 mm
■ Material	PVCu
■ Material Color	White
■ Material Weight	160 g/m
■ Wings /Length	41x41 mm
■ Reaction to Fire	Class E
■ Length Options	250, 300 cm
■ Art No.	P104400W8
■ Packaging	25 pcs/cts

Remarks:

This technical data sheet replaces all previous versions. Işık reserves the right to modify products without prior notice. Please rely on the application assembly and storage guidelines.



MANUFACTURER:

Gebze Plastikçiler OSB, Atatürk Bulvarı 11.
Cad. No:9 Gebze 41400, Kocaeli - Türkiye
T: +90 262 502 16 60
isikgroup.com