



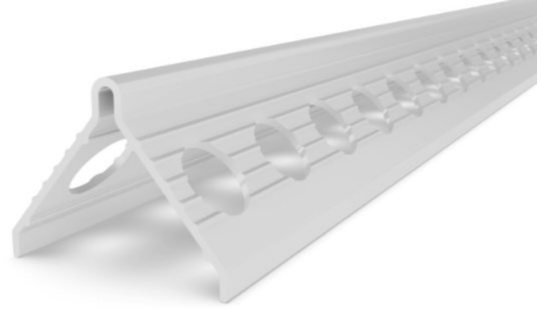
Technical Data Sheet

Document no :

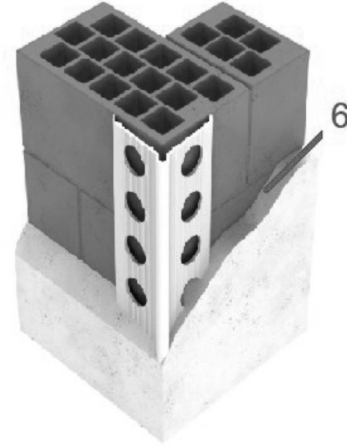
Revision :

Page : 1 of 1

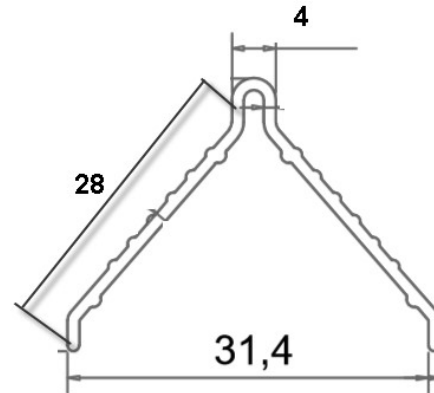
P1030 Corner Bead



Art.nr	P1030
Product Range	Plaster Profiles
Applications	Interior /Exterior Plaster
Product Type	Corner Bead /round edge
Plaster Thickness	6 mm
Material	PVCu
Material Weight	82±2 g/m
Width /Wing /Length	28 x 28 mm Wing Lenght
Fire Rating	-
Length Options	200,250,260,265,270,280,300 cm



Art nr.	Packaging	Palletization
P103000W0	100 pcs	60 cts



Remarks:

This technical data sheet replaces all previous versions. Işık reserves the right to modify products without prior notice. please rely on the application assembly and storage guidelines.

IŞIK

Perde Rayları

San. Ve Tic. A.Ş

Gebze Plastikçiler OSB

11. Cadde no:9

Gebze / KOCAELI

Tel . +90 262 502 16 60

Fax. +90 262 502 16 60

isikgroup@isikgroup.com